



# INSTALLATION INSTRUCTIONS

Accessory  
**LED FOG LIGHTS**

Application  
**2016 ILX**

Publications No.  
**VERSION 1**  
Issue Date  
**JAN 2015**

## PARTS LIST

**Fog Lights Attachment Kit**  
**P/N 08V38-TX6-200**

Left fog light cover



Right fog light cover



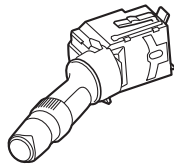
6 Self-tapping screws



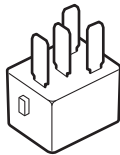
4 Spring nuts



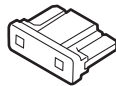
Combination light switch



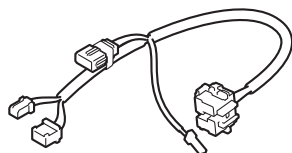
Relay



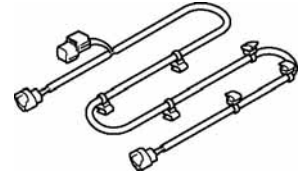
20A Fuse  
(May not be used)



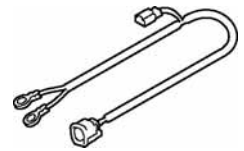
Fog light relay harness



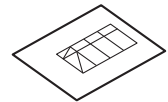
Fog light harness



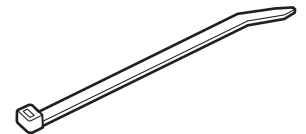
Fog light subharness



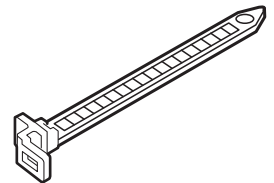
Fuse label



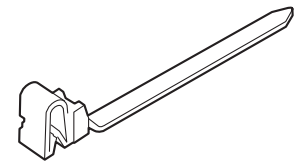
9 Wire ties



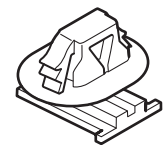
Wire tie with holder



Wire tie with clip

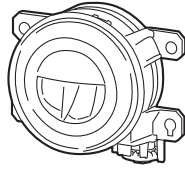


Clip



**LED Fog Lights Kit  
P/N 08V31-TX6-2A0**

2 LED fog lights



2 Self-tapping screws  
(Some may not be used)



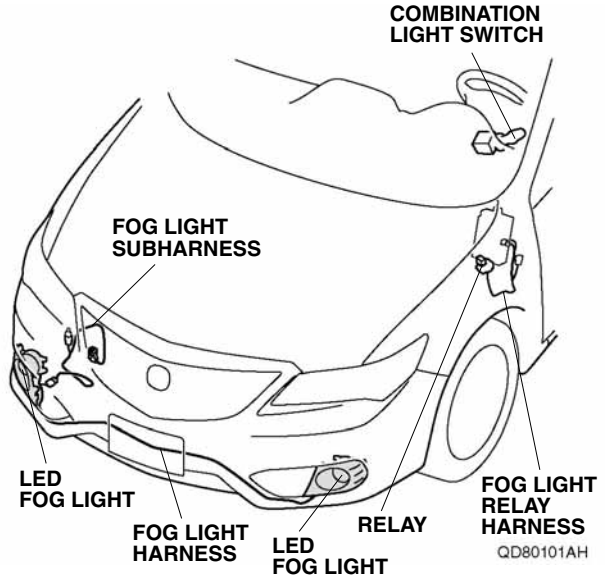
**TOOLS AND SUPPLIES REQUIRED**

- Phillips screwdriver
- 10 mm Open end wrench
- Small flat-tip screwdriver
- Ratchet
- 10 mm Socket
- Diagonal cutters
- Tape
- Isopropyl alcohol
- Shop towel
- Blanket

*The following tools are available through the Honda Tool and Equipment Program. On the iN, click on: Service > Service Bay > Tool and Equipment Program, then enter the number under "Search". Or, call 888-424-6857.*

- Trim Tool Set (T/N SOJATP2014)
- Plastic Trim Tool (T/N SILTRIMTL10)

**Illustration of the LED Fog Lights in the Vehicle**



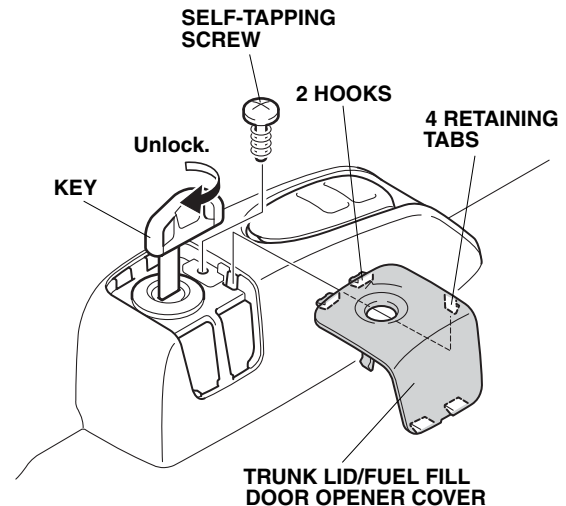
**INSTALLATION**

**Client Information:** The information in this installation instruction is intended for use only by skilled technicians who have the proper tools, equipment, and training to correctly and safely add equipment to your vehicle. These procedures should not be attempted by "do-it-yourselfers."

1. Disconnect the negative cable from the battery.

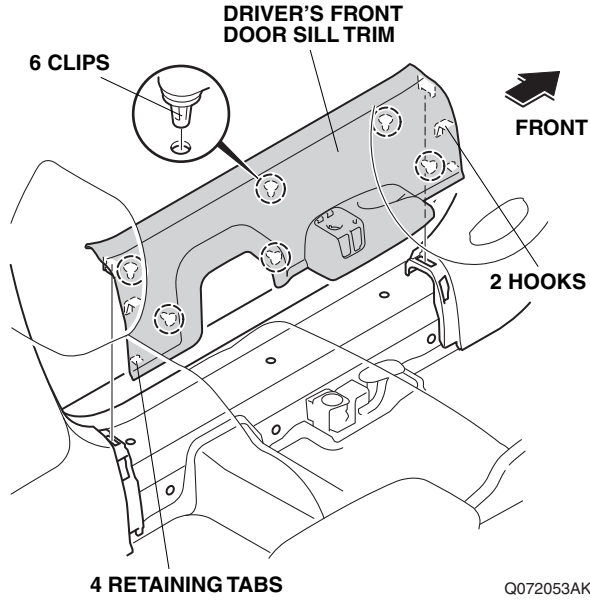
**If the vehicle is equipped with the fog lights, go to step 59; otherwise, continue with step 2.**

2. Remove the trunk lid/fuel fill door opener cover. Remove one self-tapping screw. Using the key, unlock the trunk lock.

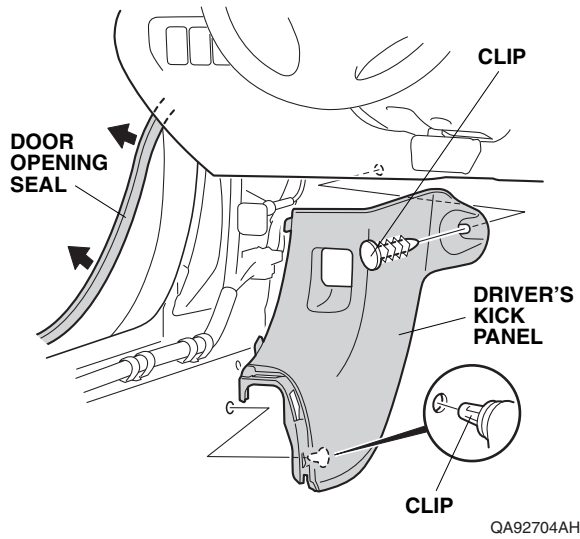


QB22850AH

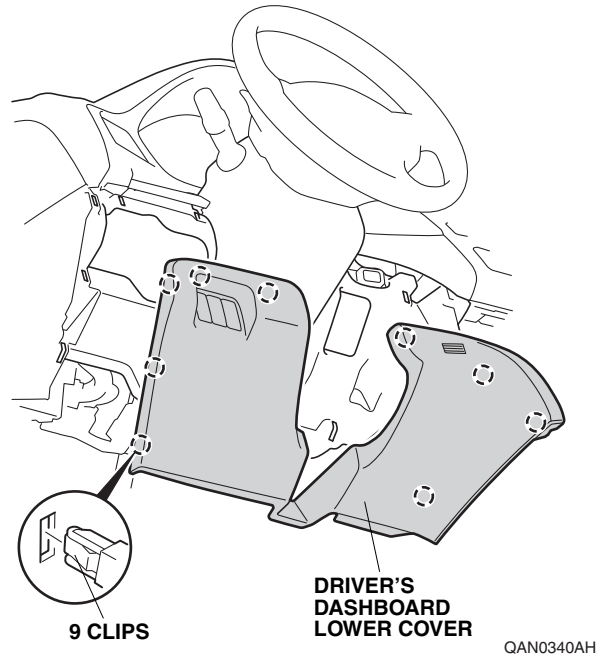
- Remove the driver's front door sill trim.



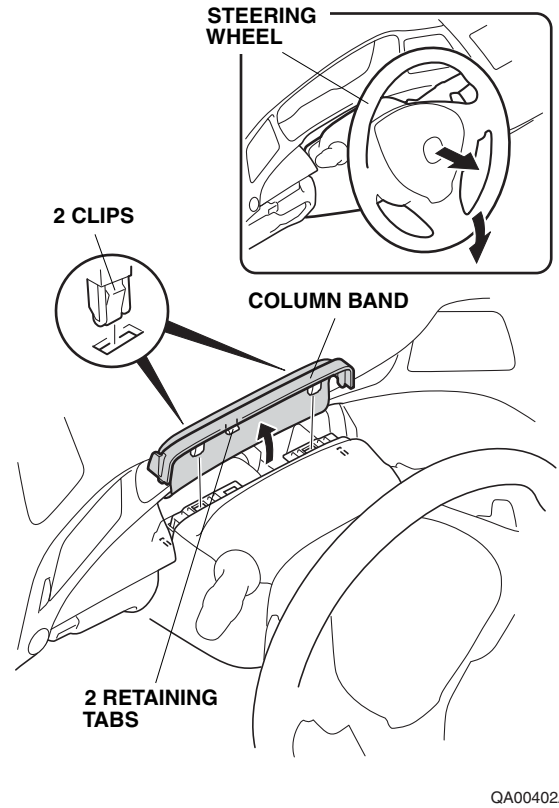
- Pull away the door opening seal, and remove the driver's kick panel.



- Remove the driver's dashboard lower cover.

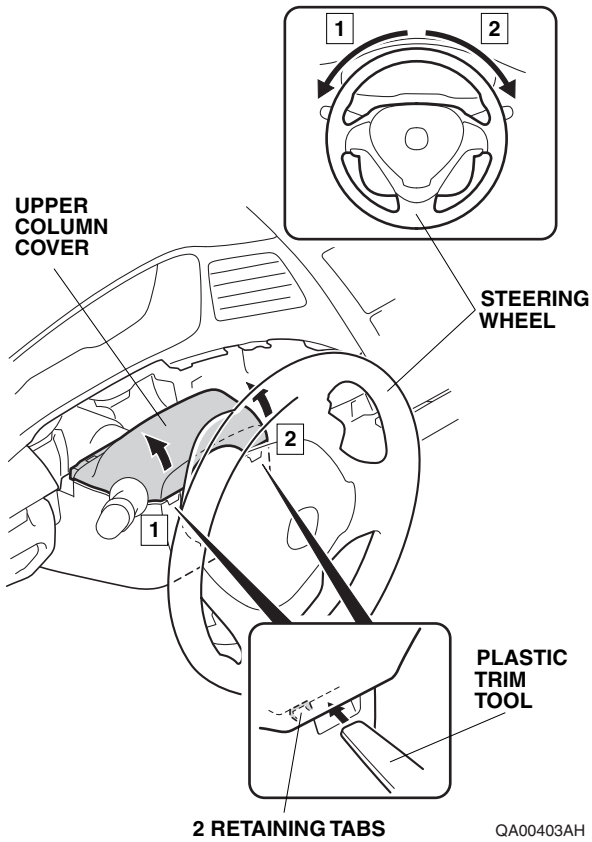


- Lower the tilt lever. Pull and lower the steering wheel.

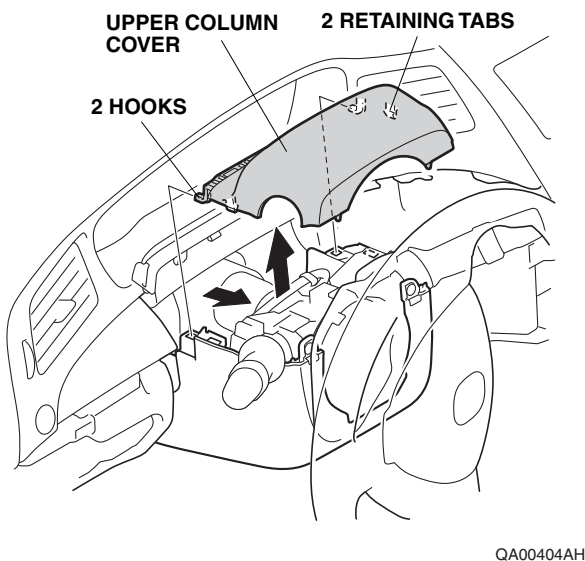


- Release the column band.

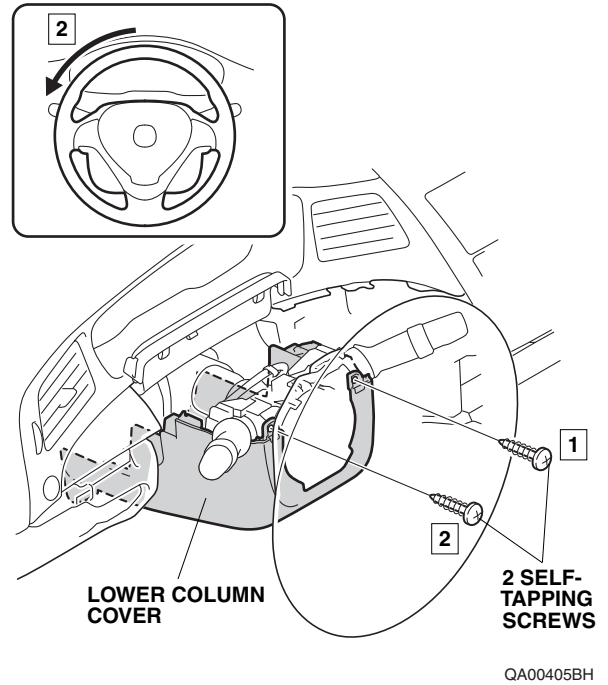
- If necessary, reconnect the negative cable to the battery, then press the engine start/stop button to select the ON mode. Turn the steering wheel 90° counterclockwise. Using a plastic trim tool, release the retaining tab.



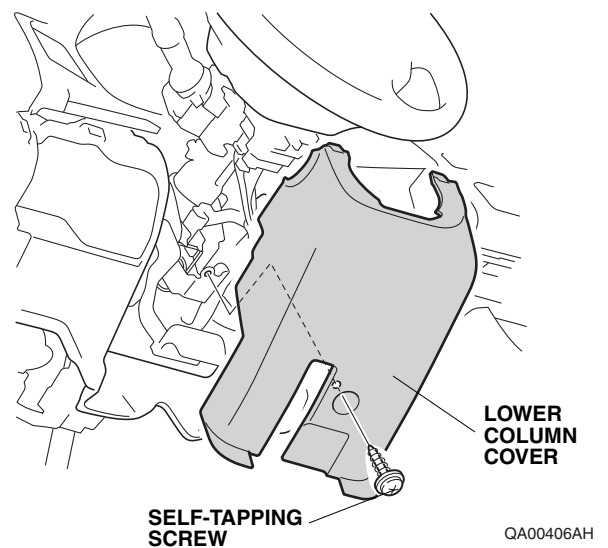
- Turn the steering wheel 180° clockwise. Using a plastic trim tool, release the retaining tab.
- Remove the upper column cover.



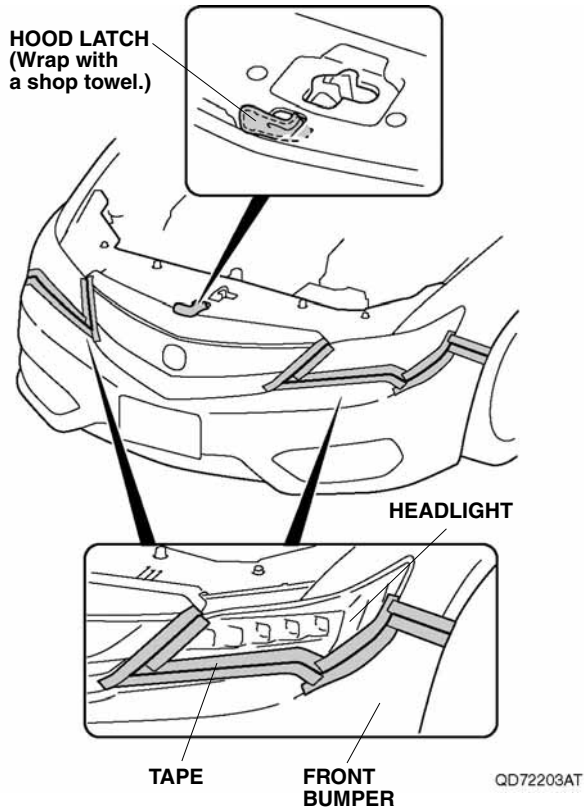
- Remove one self-tapping screw from the lower column cover.



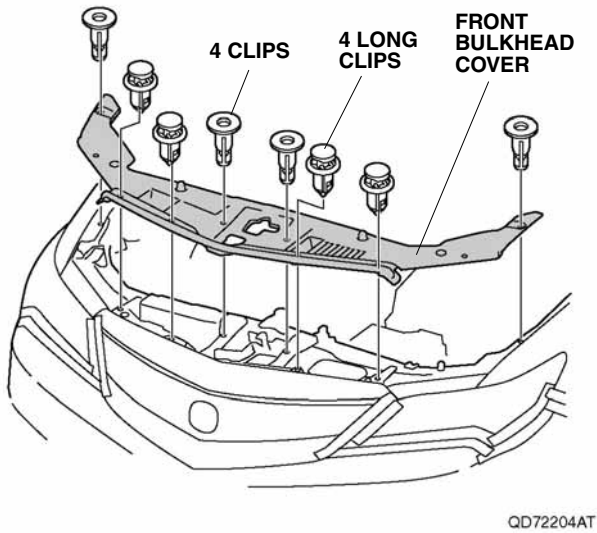
- Turn the steering wheel 180° counterclockwise. Remove one self-tapping screw from the lower column cover.
- If necessary, press the engine start/stop button to select OFF mode, then disconnect the negative cable from the battery.
- Remove the lower column cover.



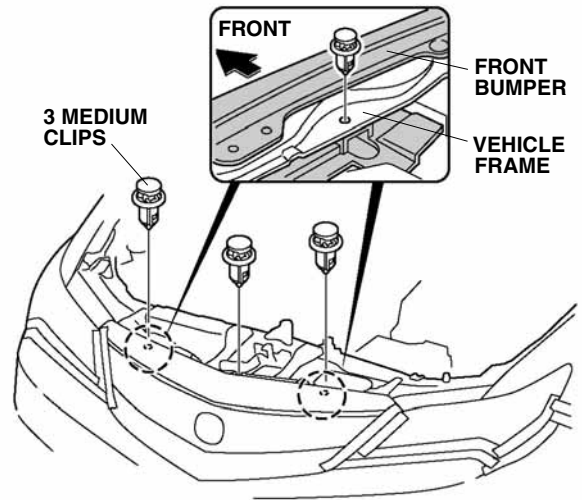
15. Remove the front bumper:
- Attach tape to the areas shown on each side.
  - Wrap a shop towel around the hood latch.



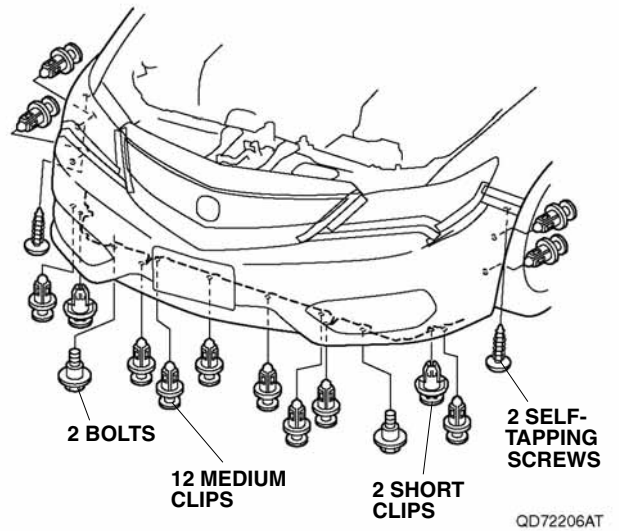
- Remove the front bulkhead cover.



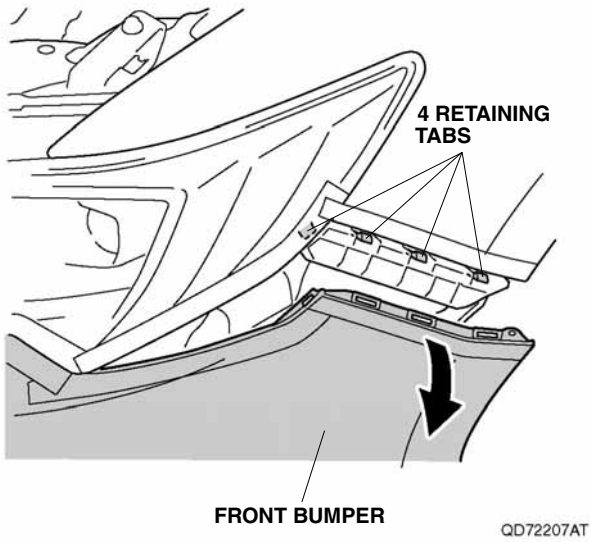
- Remove three medium clips.



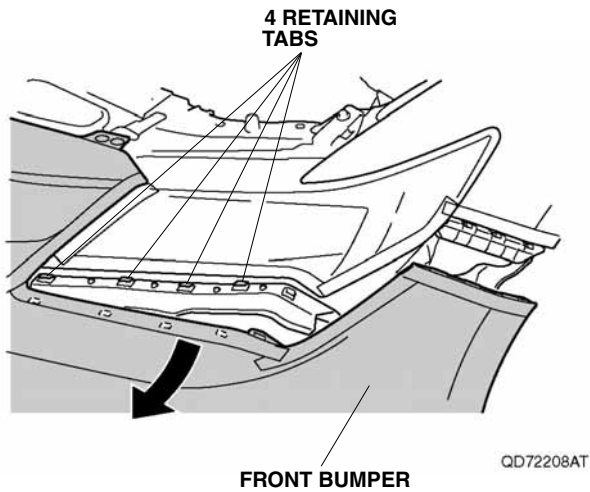
- Remove two self-tapping screws, two bolts, two short clips, and 12 medium clips.



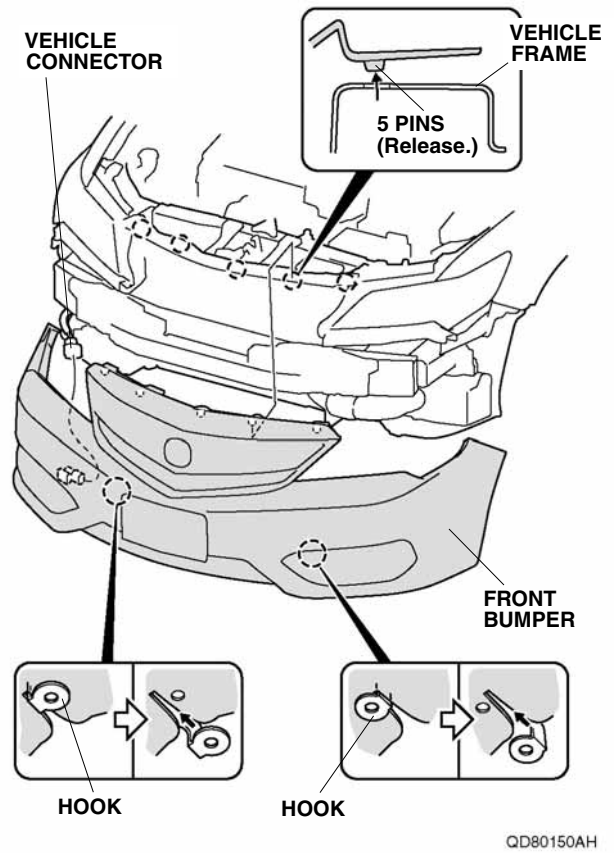
- Release four retaining tabs on each side.



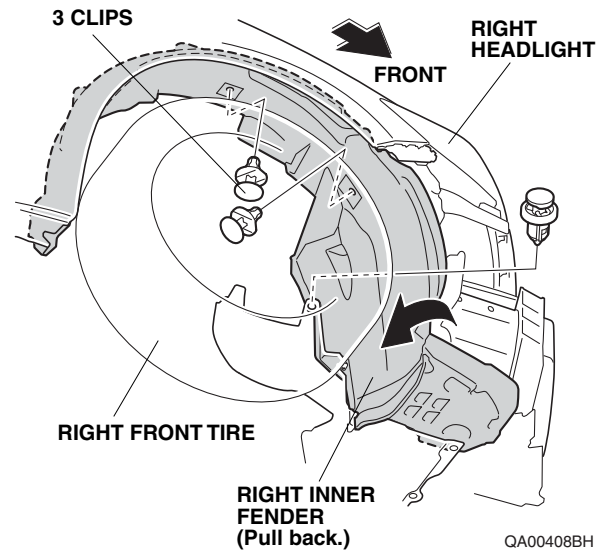
- With the help of an assistant, release four retaining tabs on each side.



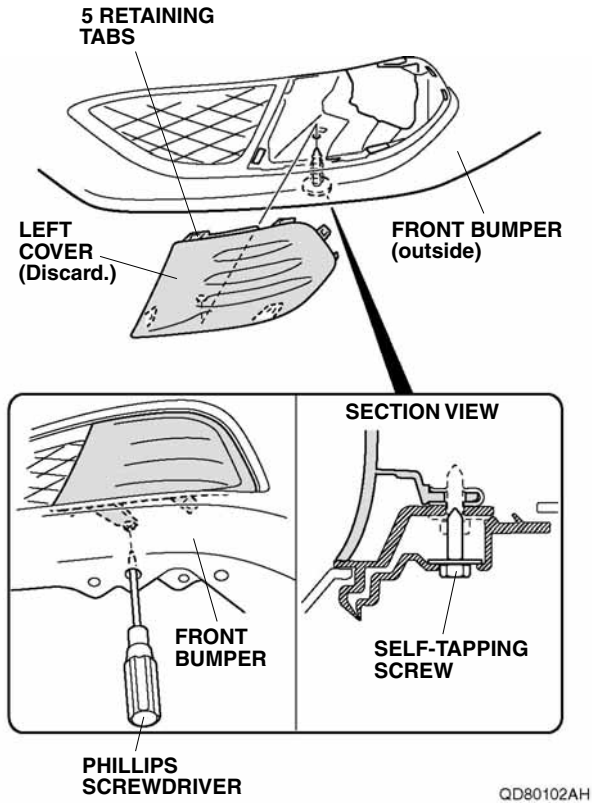
- With the help of an assistant, remove the front bumper. Place the front bumper on a blanket to prevent damage.



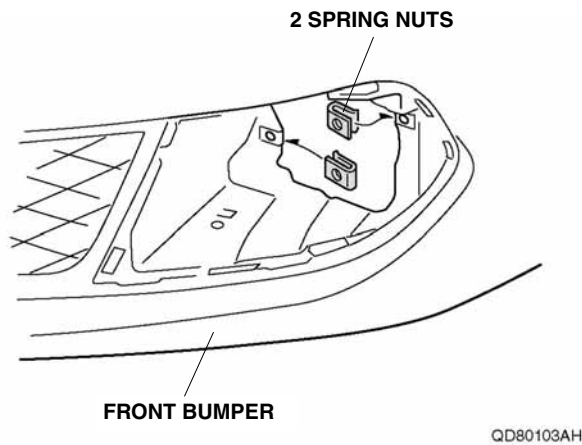
16. Remove three clips, and pull back the right inner fender as shown.



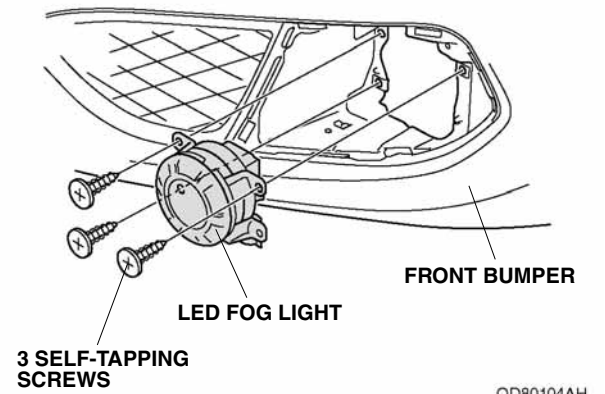
17. Remove the left cover from the front bumper.



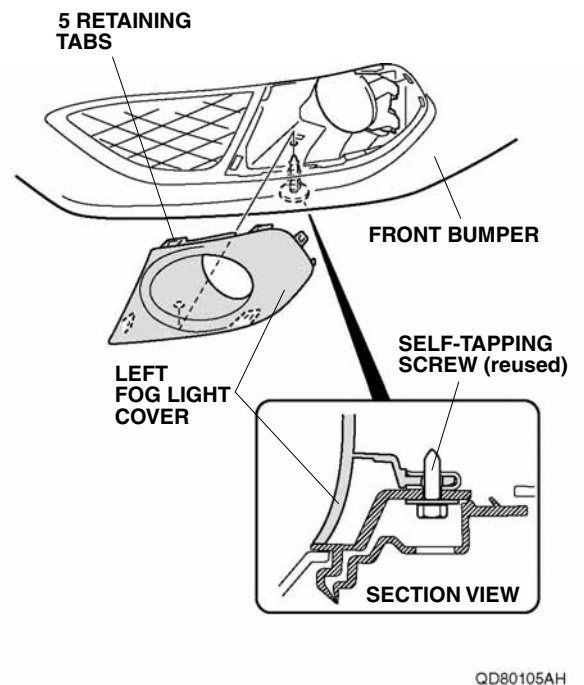
18. Install two spring nuts onto the front bumper as shown.



19. Install the LED fog light to the front bumper with three self-tapping screws.

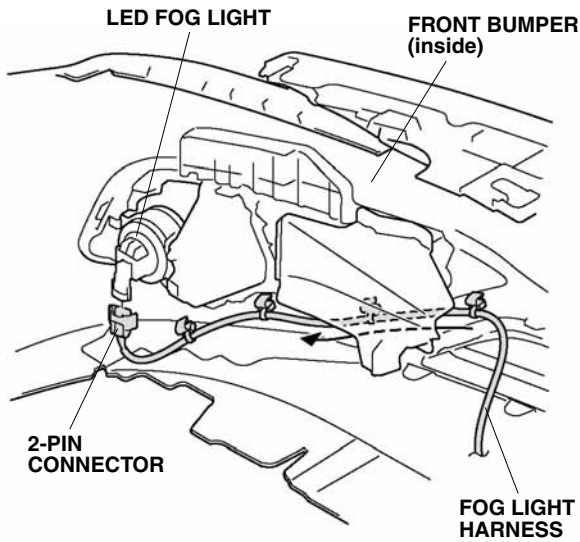


20. Install the left fog light cover to the front bumper, and tighten one self-tapping screw.



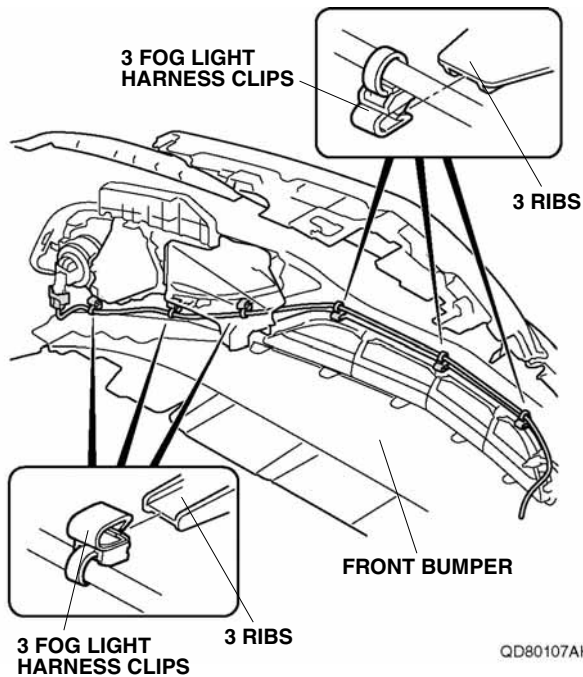
21. Repeat steps 17 through 20 to install the LED fog light on the right side of the front bumper.

22. Route the fog light harness as shown, and plug the fog light harness 2-pin connector into the LED fog light.



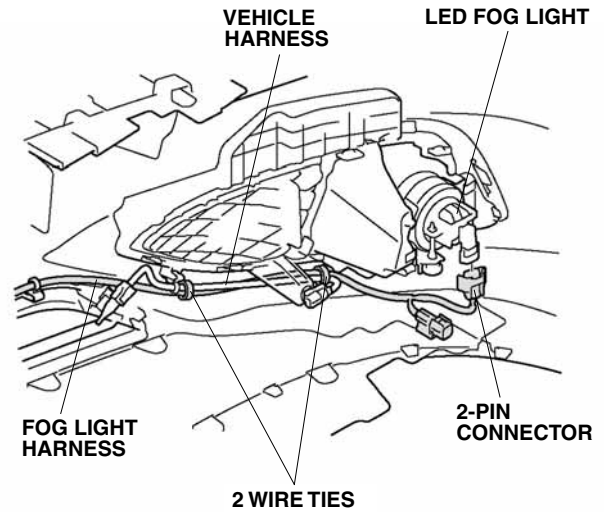
QD80106AH

23. Secure the six clips on the fog light harness to the six ribs on the front bumper as shown.



QD80107AH

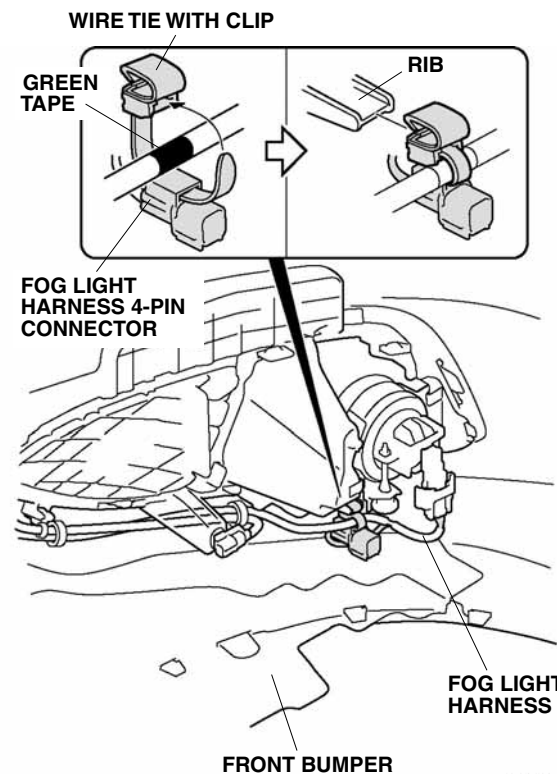
24. Plug the fog light harness 2-pin connector into the LED fog light.



QD80108AH

25. Secure the fog light harness to the vehicle harness with two wire ties.

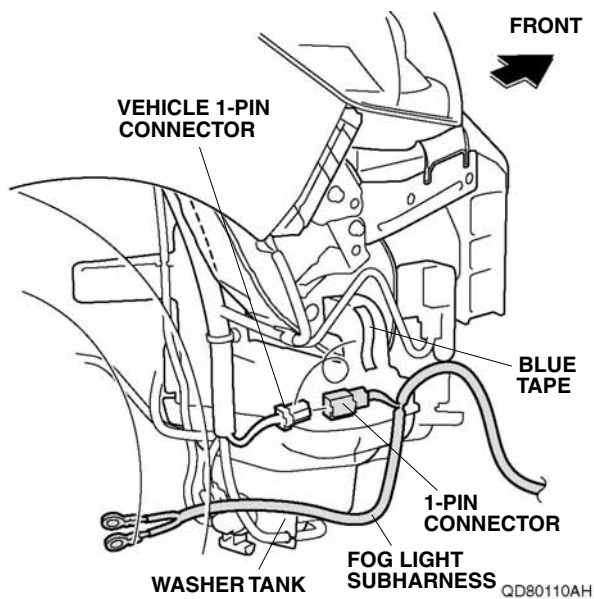
26. Attach the fog light harness 4-pin connector to the green tape on the fog light harness with one wire tie with clip, then secure it to the rib on the front bumper with wire tie with clip as shown.



QD80109AH

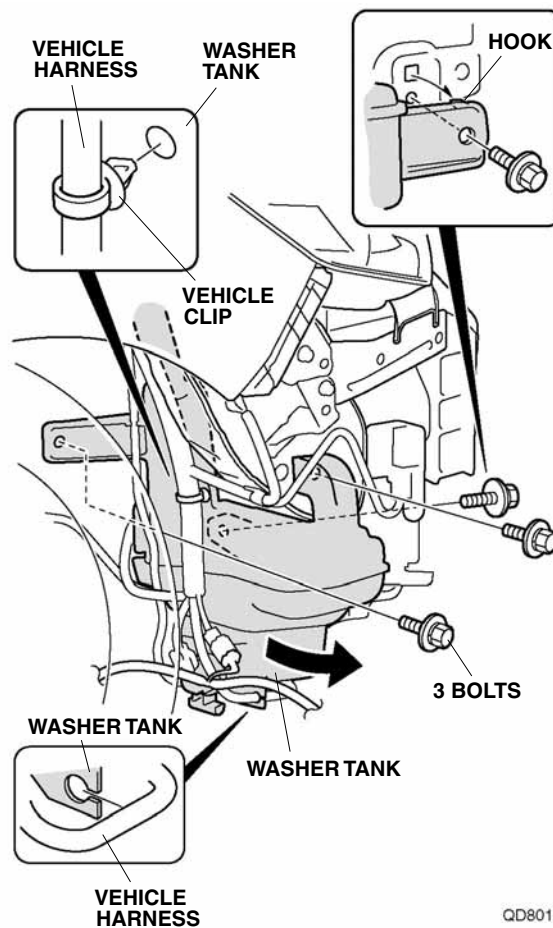


27. Remove the blue tape from the vehicle 1-pin connector.



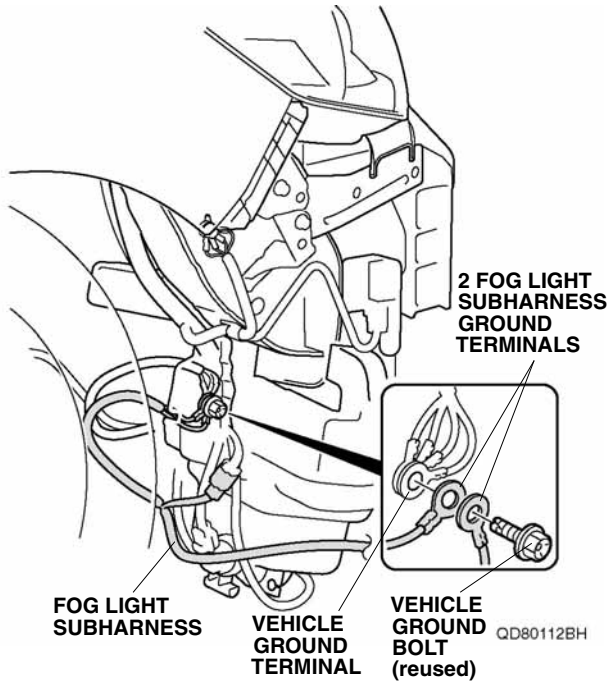
28. Plug the vehicle 1-pin connector into the fog light subharness 1-pin connector.

29. Remove the vehicle harness from the washer tank. Remove three bolts, and move the washer tank aside.



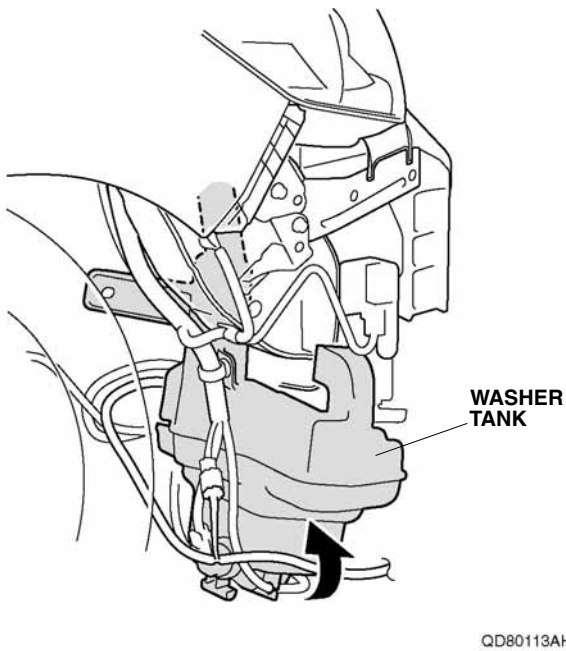
QD80111CH

30. Remove the vehicle ground bolt.

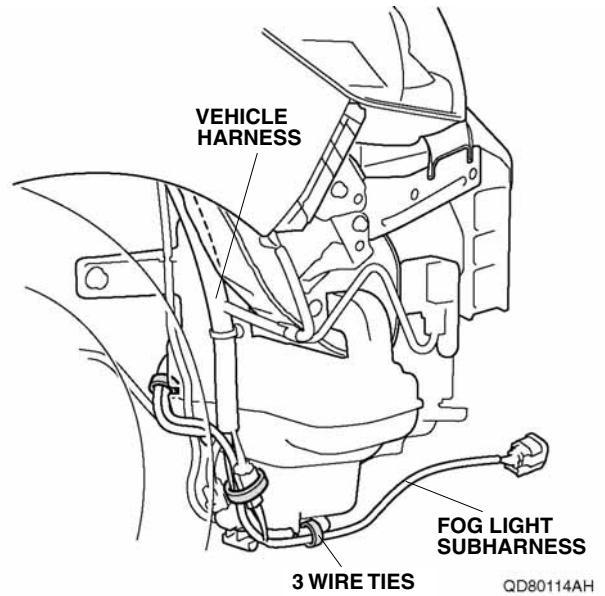


31. Attach the two fog light subharness ground terminals to the vehicle ground terminal, and reinstall the vehicle ground bolt.

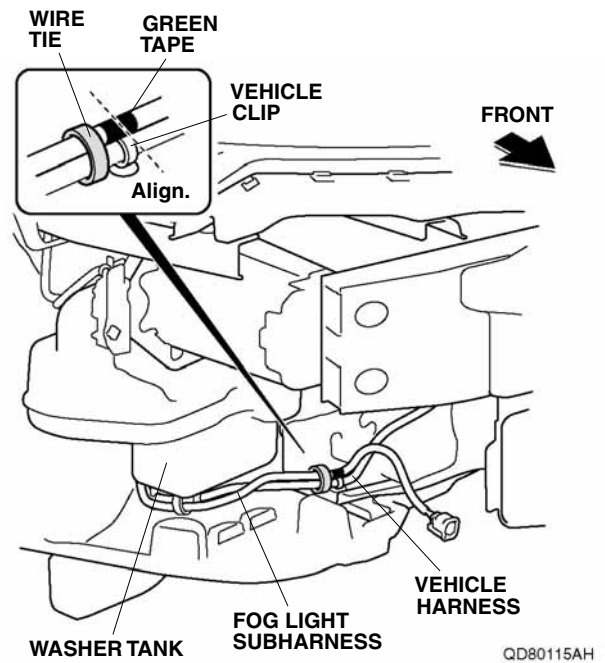
32. Reinstall the washer tank and vehicle harness.



33. Secure the fog light subharness to the vehicle harness with three wire ties. Do not secure the fog light subharness to the washer tube.

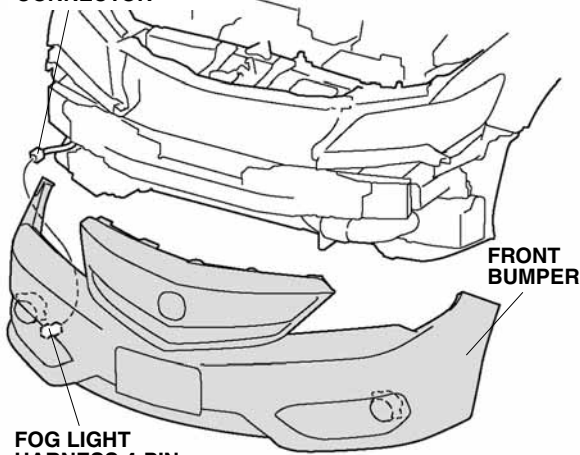


34. Align the green tape on the fog light subharness with the vehicle clip as shown, and secure the fog light subharness to the vehicle harness with one wire tie.



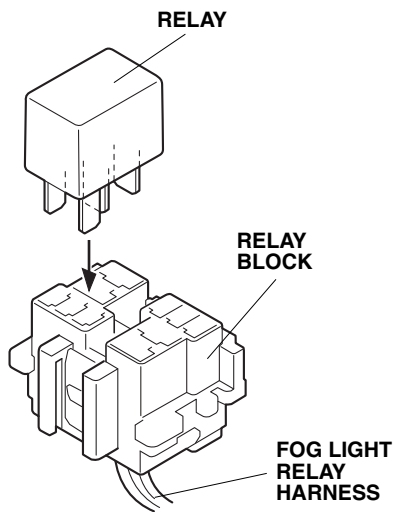
35. With the help of an assistant, plug the fog light subharness 4-pin connector into the fog light harness 4-pin connector. Install the front bumper and replug the vehicle connector. Securely install all clips.

**FOG LIGHT SUBHARNESS 4-PIN CONNECTOR**



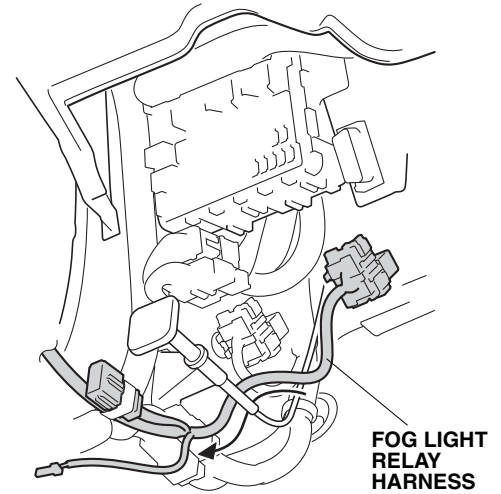
QD80151AH

36. Install the relay on the fog light relay harness relay block.



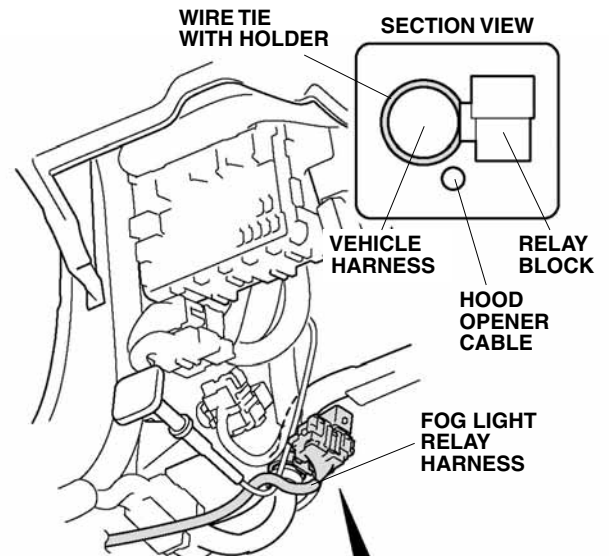
QA00430AH

37. Route the fog light relay harness as shown.

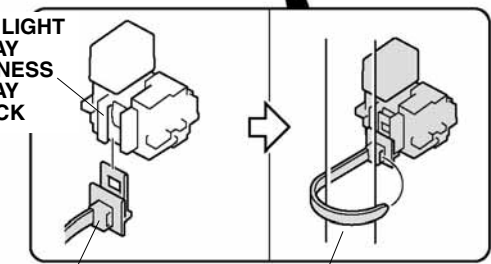


QA02310AH

38. Attach the wire tie with holder to the fog light relay harness relay block, and secure it to the vehicle harness with the wire tie with holder. Do not secure the fog light relay harness relay block to the hood opener cable.

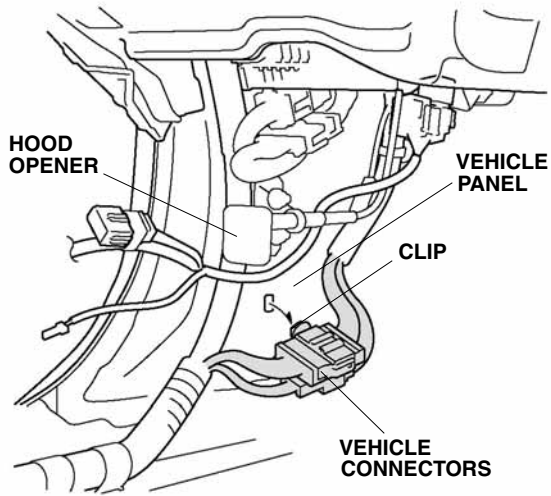


**FOG LIGHT RELAY HARNESS RELAY BLOCK**



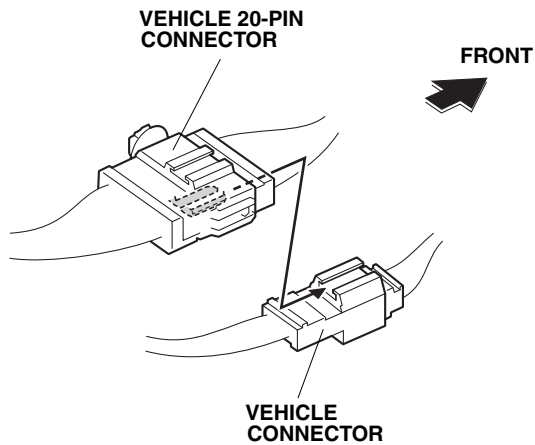
QD80116AH

39. Unclip the vehicle connectors from the vehicle panel.



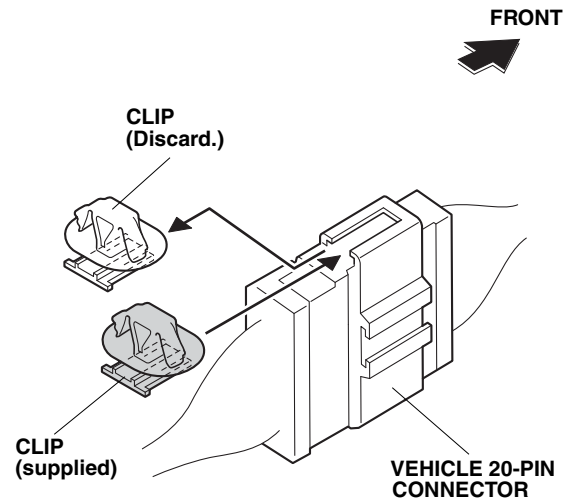
QD80117AH

40. Remove the vehicle connector from the vehicle 20-pin connector.



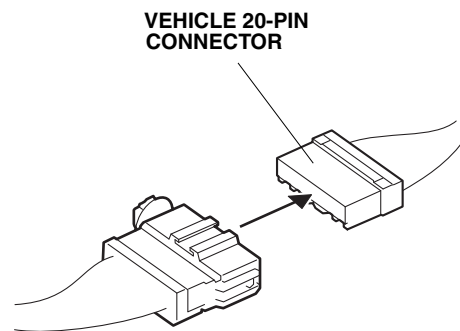
QA00426AH

41. Remove the clip from the vehicle 20-pin connector, and install the supplied clip on the vehicle 20-pin connector.



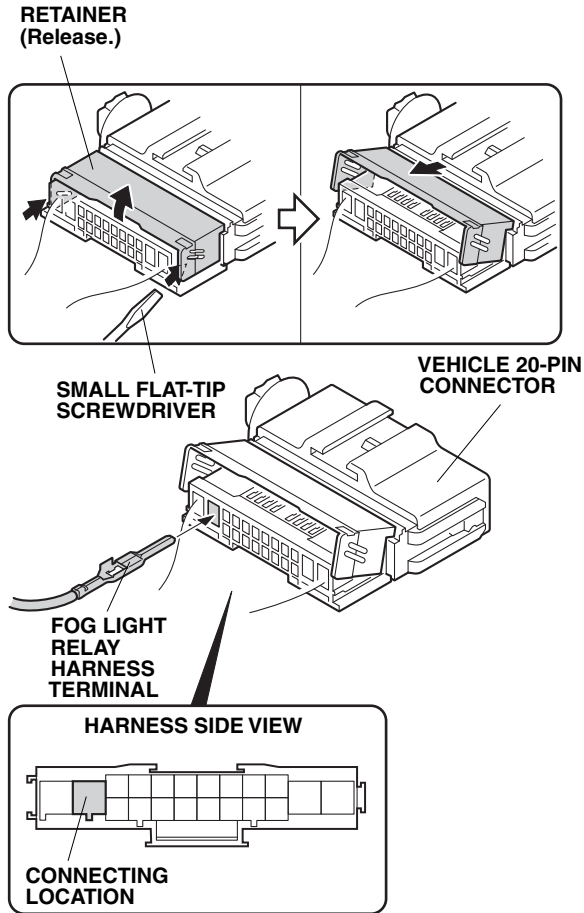
QA00427AH

42. Unplug the vehicle 20-pin connector.



QA00428AH

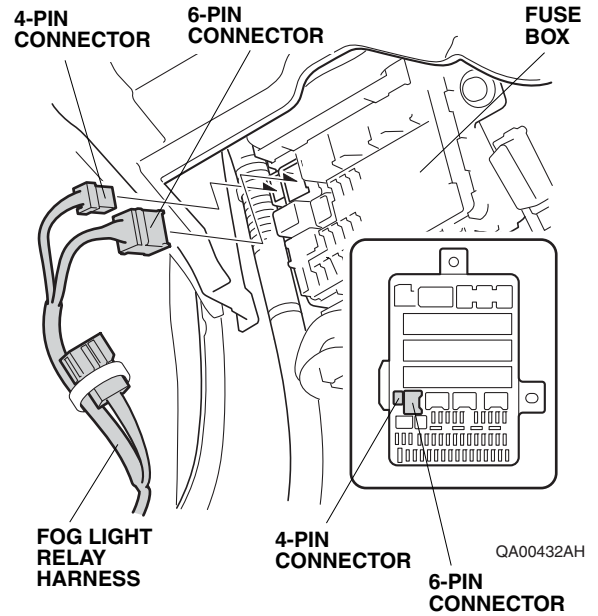
43. Using a small flat-tip screwdriver, release the retainer on the vehicle 20-pin connector. Insert the fog light relay harness terminal into the vehicle 20-pin connector as shown. Lock the retainer.



44. Replug the vehicle 20-pin connector, and reattach the other vehicle connector to the vehicle 20-pin connector. Clip the connectors onto the vehicle panel.

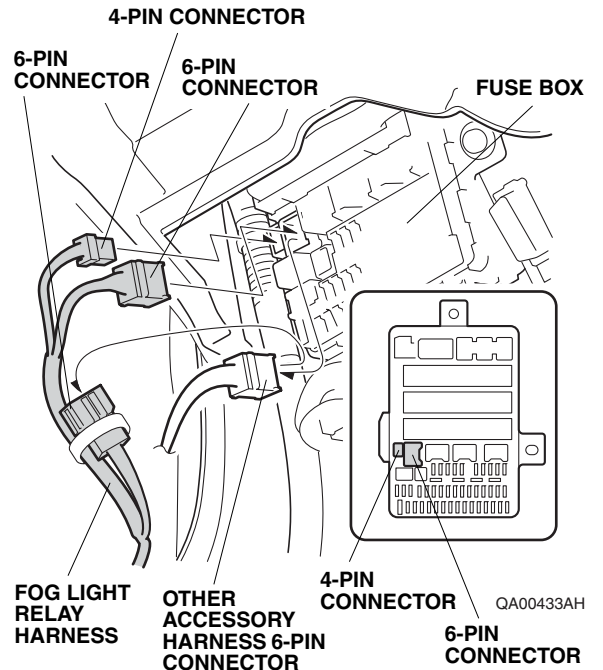
### Without Other Accessory Harness 4-pin and 6-pin Connectors

45. Plug the fog light relay harness 4-pin and 6-pin connectors into the fuse box. Go to step 48.



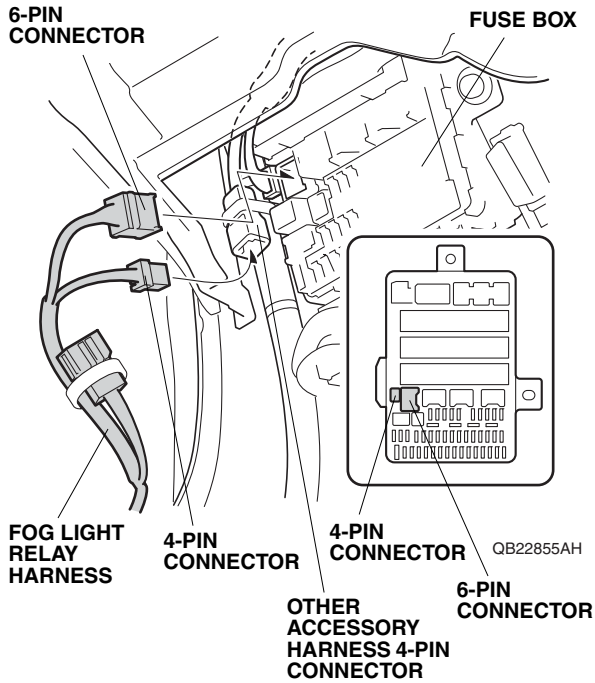
### With Other Accessory Harness 6-pin Connector

46. If the 6-pin connector is already used by other accessory, unplug the other accessory harness 6-pin connector from the fuse box and plug it into the fog light relay harness 6-pin connector. Plug the fog light relay harness 4-pin and 6-pin connectors into the fuse box. Go to step 48.

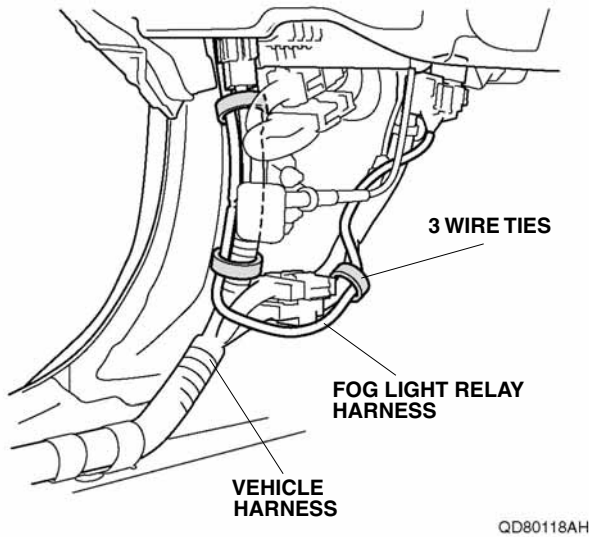


**With Other Accessory Harness 4-pin connector**

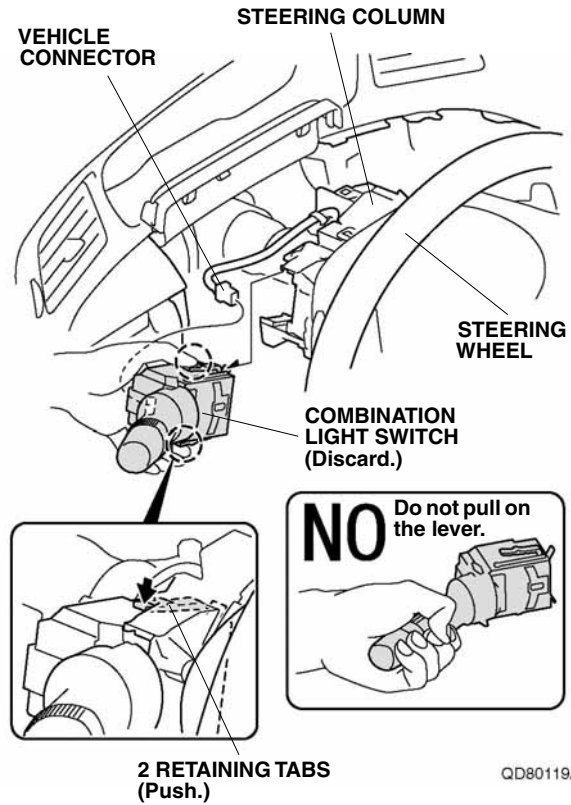
47. If the 4-pin connector is already used by other accessory, locate the 4-pin connector taped on other accessory harness. Plug the fog light relay harness 4-pin connector into other accessory harness 4-pin connector. Plug the fog light relay harness 6-pin connector into the fuse box.



48. Secure the fog light relay harness to the vehicle harness with three wire ties.



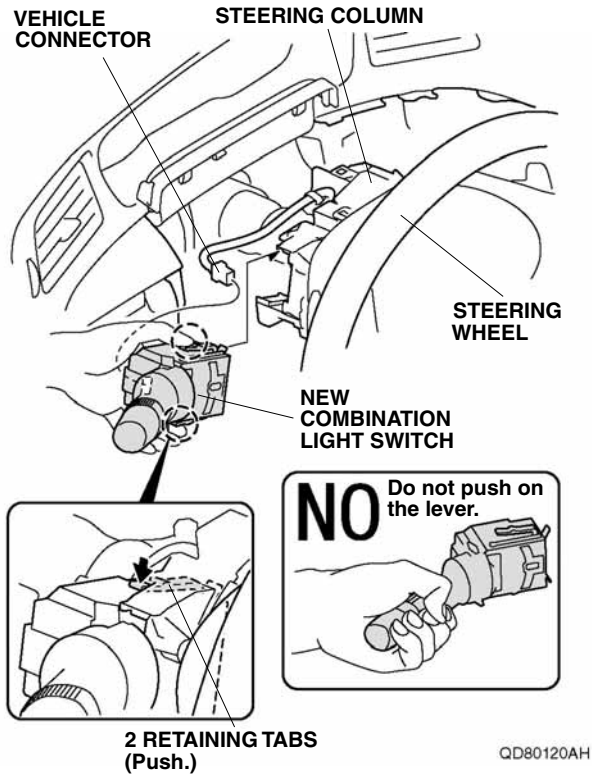
49. Unplug the vehicle connector from the combination light switch.



50. While pushing the two retaining tabs, slide the combination light switch out and remove it from the steering column.

NOTE: Do not pull on the lever when removing the switch.

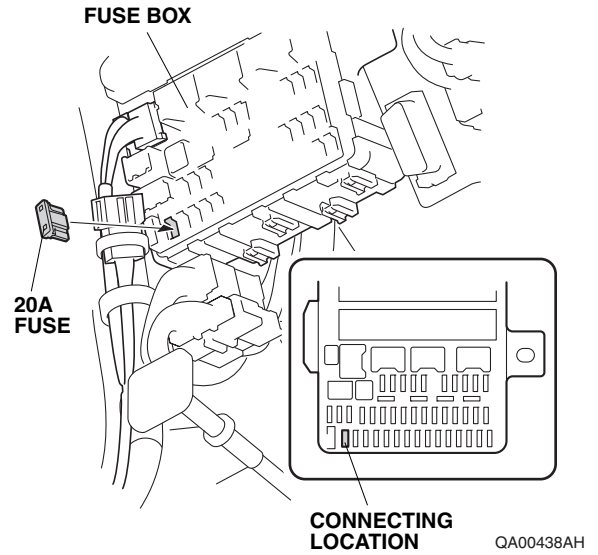
51. Install the new combination light switch to the steering column.  
 NOTE: Do not push on the lever when installing the switch.



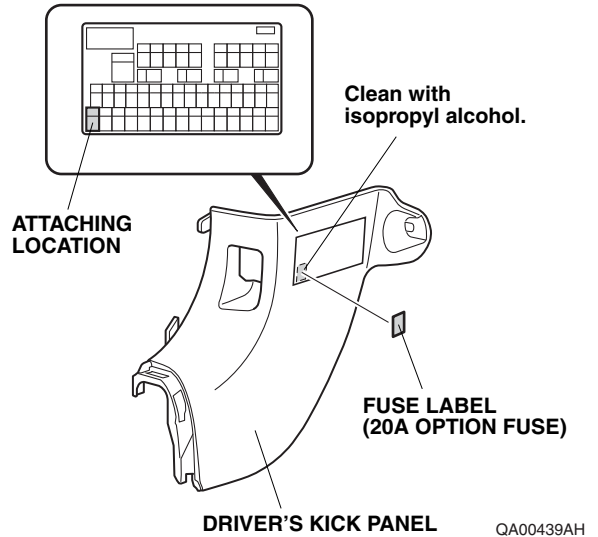
52. Plug the vehicle connector to the new combination light switch. Make sure the vehicle harness has some slack.

If a fuse is already installed in the fuse box, go to step 56. If not, continue to step 53.

53. Plug the 20A fuse into the fuse box.

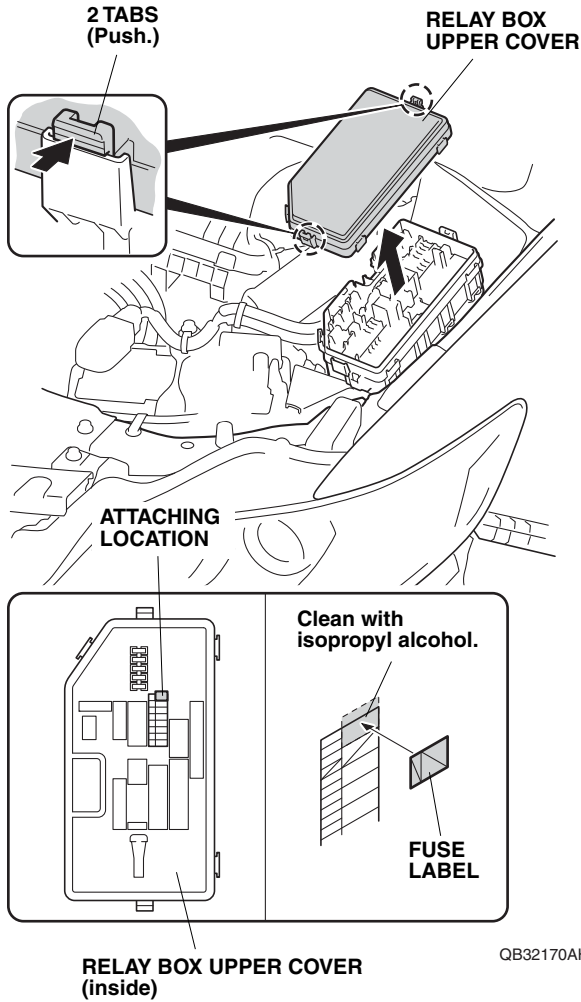


54. Using isopropyl alcohol on a shop towel, thoroughly clean the area where the fuse label will attach.



55. Attach the fuse label to the driver's kick panel.

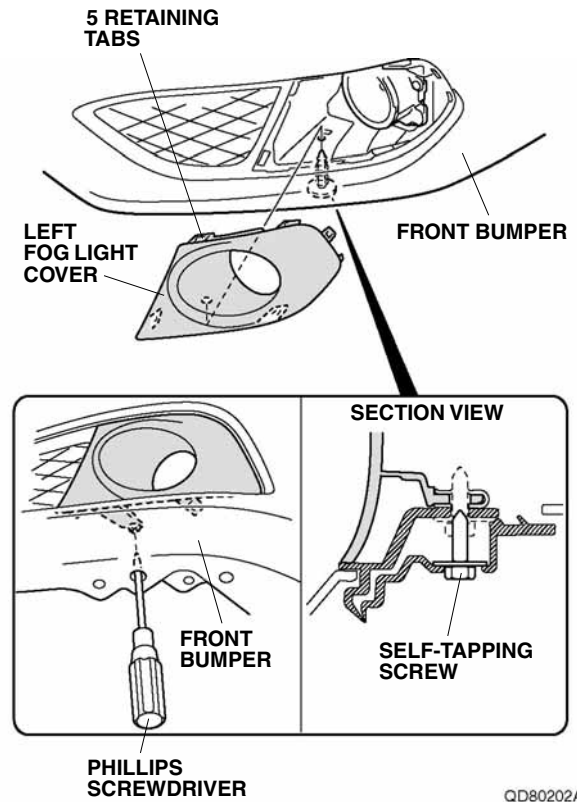
56. Remove the relay box upper cover.



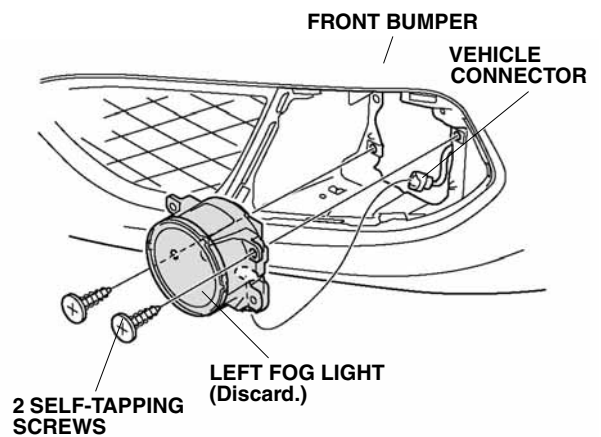
57. Using isopropyl alcohol on a shop towel, thoroughly clean the area where the fuse label will attach.
58. Attach the fuse label to the relay box upper cover. Go to step 64.

## With Fog Lights

59. Remove the left fog light cover from the front bumper (one self-tapping screw and five retaining tabs).

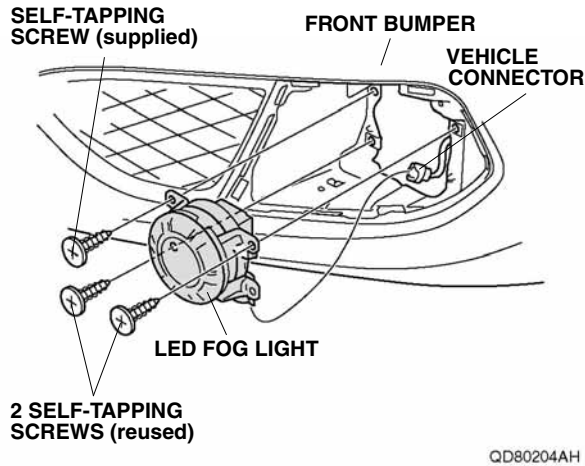


60. Remove the left fog light from the front bumper and unplug the vehicle connector.

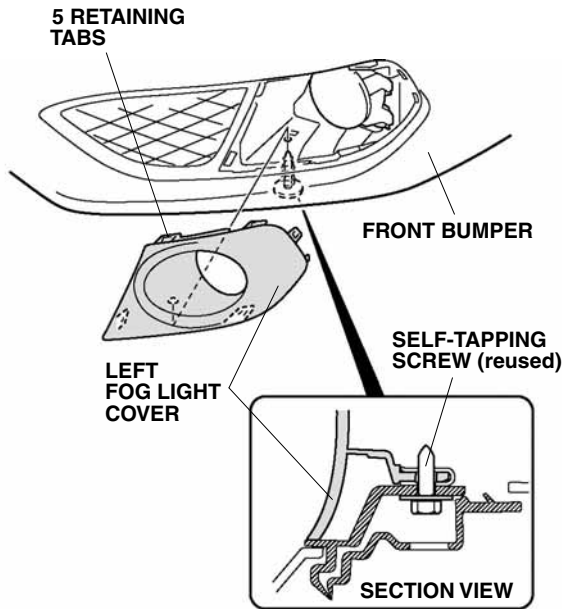




61. Plug the vehicle connector into the LED fog light. Install the LED fog light to the front bumper with three self-tapping screws. Make sure the wire harness is not pinched.



62. Reinstall the left fog light cover to the front bumper, and tighten one self-tapping screw.

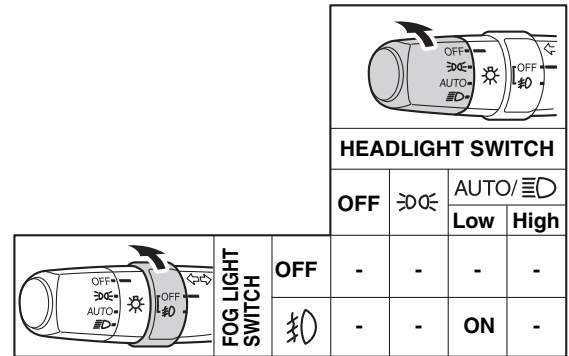


63. Repeat steps 59 through 62 to install the LED fog light on the right side of the vehicle. Go to step 66.

64. Check that all wire harnesses are routed properly and all connectors are plugged in.
65. Reinstall all removed parts.
66. Reconnect the negative cable to the battery and check the operation of all lights and other electrical accessories.
67. Press and hold the radio power button for two seconds to restore the radio and navi (if equipped) system functions.
68. Reset the clock.

**Check the Operation of the Fog Light**

69. Turn the headlight switch to the AUTO or “D” position (headlights on low beam).
70. Turn on the fog light switch (indicator is on).
71. If the fog lights do not turn on, check the fuse and all the connectors, including the ground cable.

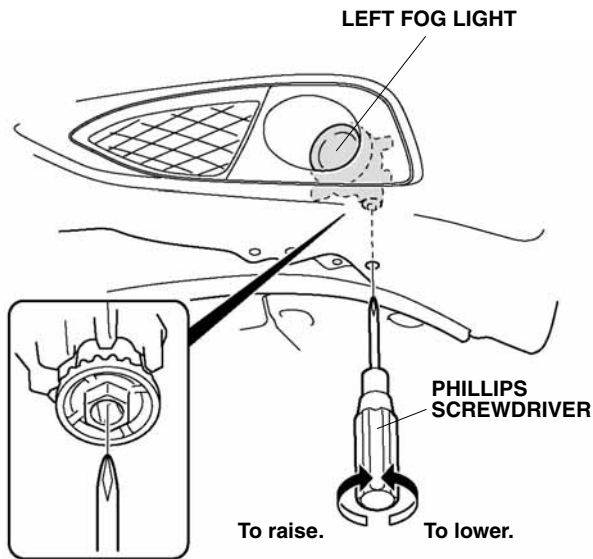


QA00440AH

NOTE: The fog light lenses may cloud when the outside temperature is cold; this is normal and should go away in warm weather.

## How to Aim the Fog Lights

72. Adjust the fog light aim by turning the adjustment screw in or out until the correct aim is obtained. Adjust the aim according to local laws and regulations.



QD80121AH

## LED REPLACEMENT

NOTE: The fog light (LED) is a part of the fog light assembly, and it cannot be replaced by itself.